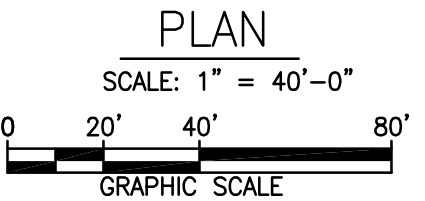
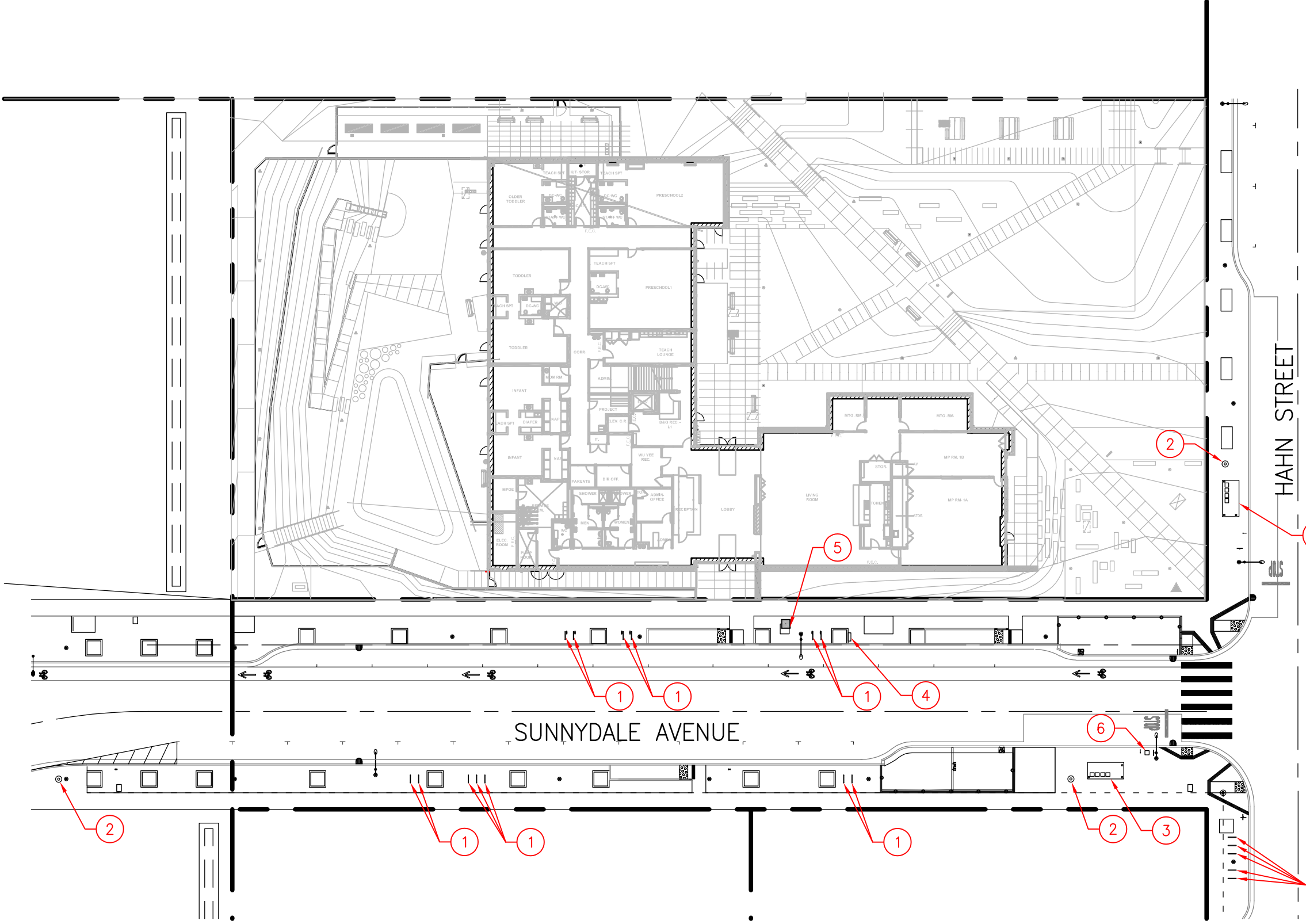
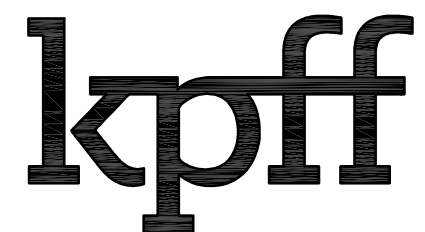


LEGEND:

- ① BIKE RACKS
- ② TRASH RECEPTACLES
- ③ BUS SHELTER
- ④ VEHICULAR DIRECTIONAL SIGN
- ⑤ INFORMATION KIOSK
- ⑥ COMMUNITY GATEWAY MARKER



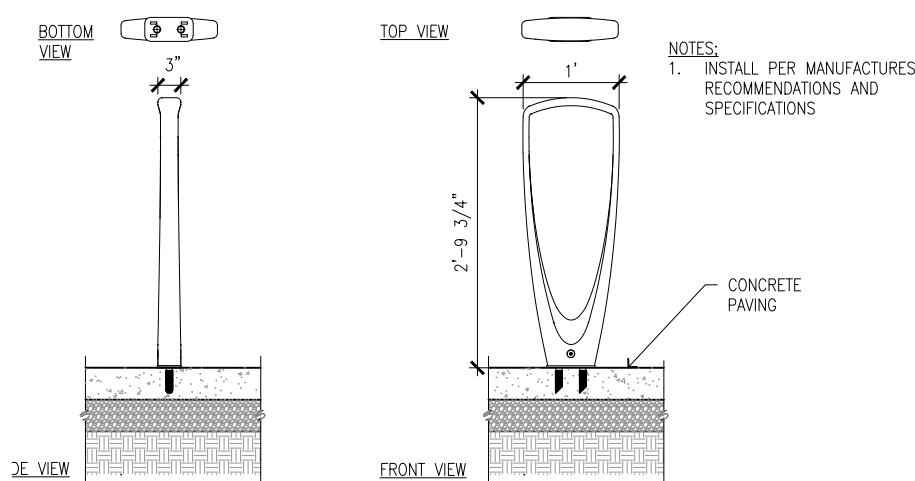
**SFAC REVIEW EXHIBIT**  
**PHASE 1A-3**  
SUNNYDALE HOPE SF  
PAGE 1 OF 2



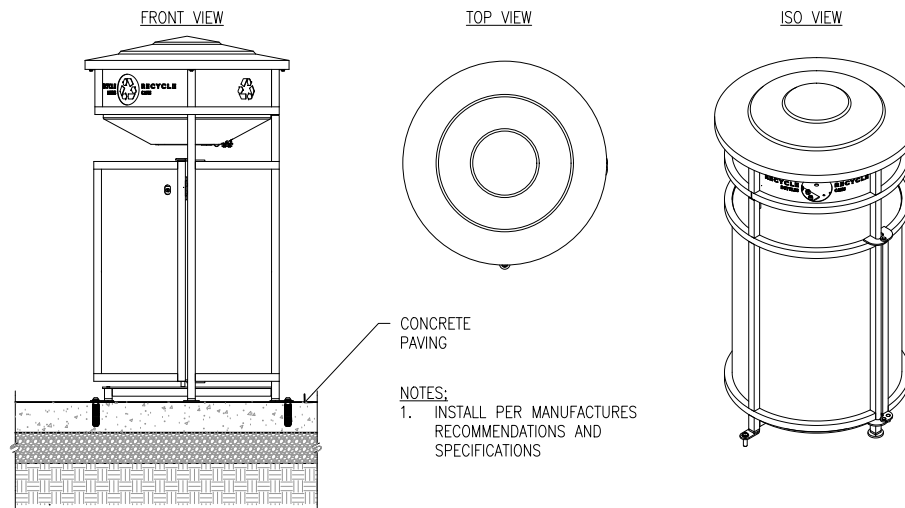
45 Fremont Street, 28th Floor  
San Francisco, CA 94105  
415.989.1004 | kpff.com

JOB NUMBER: 1900035

DATE: 12.14.2021



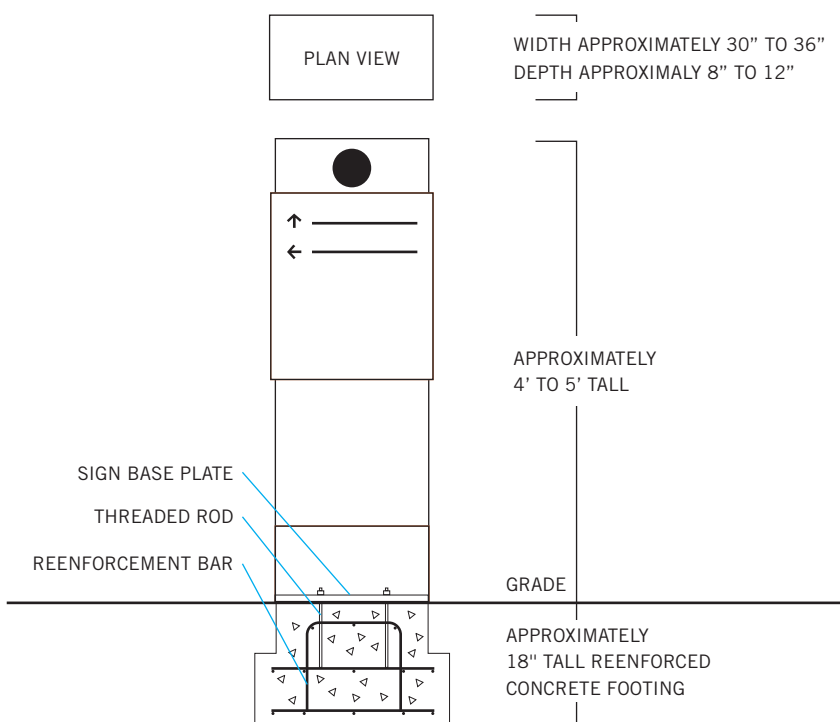
1 BIKE RACK, FORMS + SURFACES MODEL: TRIO, COLOR: ARGENTO



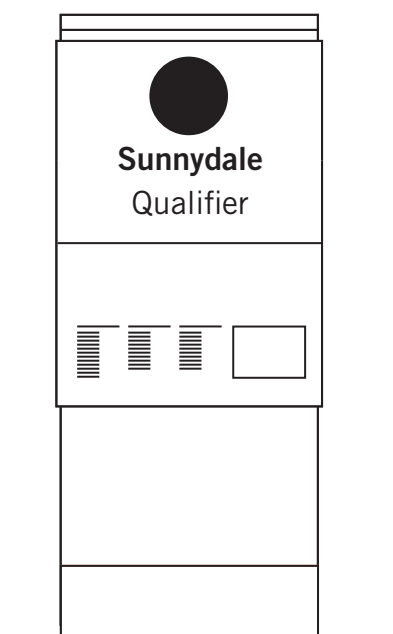
2 TRASH RECEPTACLE, FORMS + SURFACES MODEL: URBAN RENAISSANCE, COLOR: ARGENTO



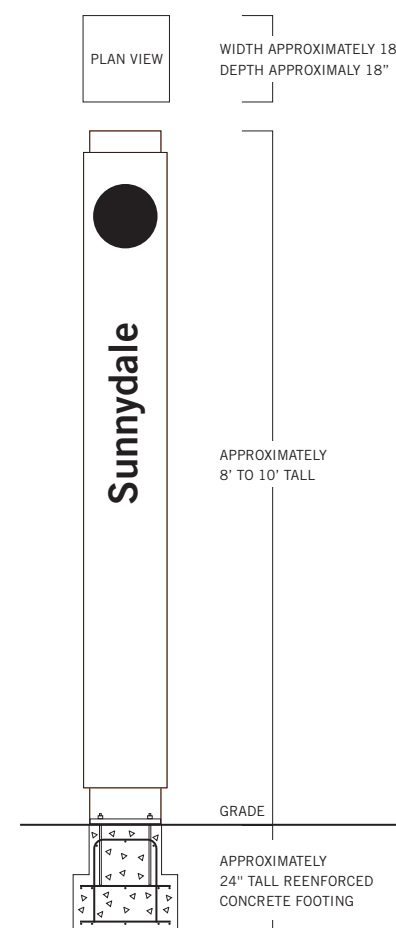
BUS SHELTER - 12' LONG, NORMAL WIDTH ILLUSTRATION



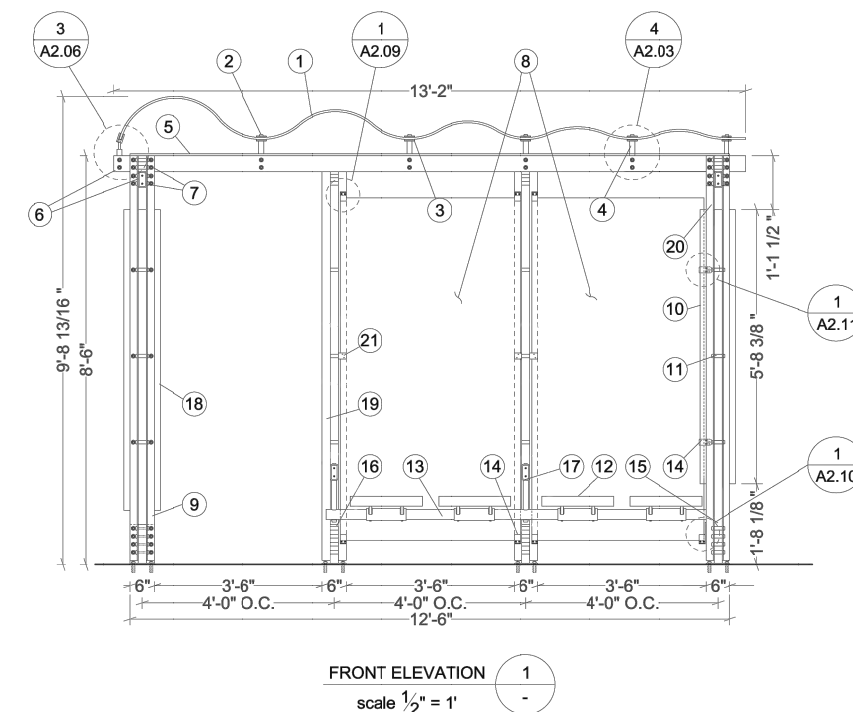
4 VEHICULAR DIRECTION SIGN



5 INFORMATION KIOSK



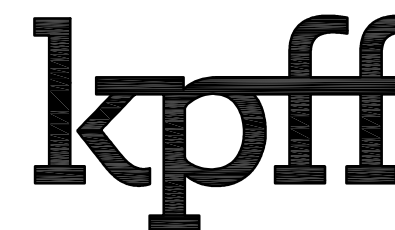
6 COMMUNITY GATEWAY MARKER



3 BUS SHELTER

**SFAC REVIEW EXHIBIT  
PHASE 1A-3**

SUNNYDALE HOPE SF  
PAGE 2 OF 2



45 Fremont Street, 28th Floor  
San Francisco, CA 94105  
415.989.1004 | kpff.com

JOB NUMBER: 1900035

DATE: 12.14.2021