



**Subject** Doors, Doorways, and Gates (CBC Chapter 11B)

**References**

- 2019 California Building Code (CBC)
- 2010 ADA Standards (ADAS)
- Fair Housing Act Design Manual (FHADM)

**Purpose** This bulletin provides guidance for the design and construction requirements of accessible doors, doorways and gates in Mobility Dwelling Units and common areas.

For more information visit the Mayor's Office on Disability (MOD) website: [sfgov.org/mod](http://sfgov.org/mod)

CBC Code Section	Summary
11B-309	Operable parts.
11B-404	Doors, doorways and gates.
11B-404.2	Manual doors, doorways, and manual gates.
11B-404.2.3	Clear widths.
11B-404.2.4	Maneuvering clearances.
11B-404.2.5	Thresholds.
11B-404.2.6	Doors in series and gates in series.
11B-404.2.7	Door and gate hardware.
11B-404.2.9	Door and gate opening force.
11B-404.2.10	Door and gate surfaces.
11B-404.2.11	Vision lights.
11B-404.3	Automatic and power assisted doors and gates.

**Criteria for Design and Construction of Doors and Gates**

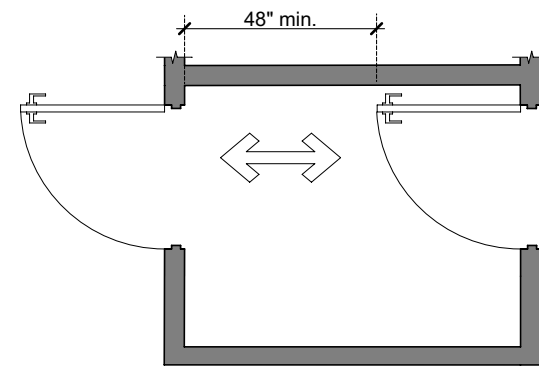
1. Revolving doors, revolving gates, and turnstiles shall not be part of an accessible route.
2. Door and gate opening force: The maximum opening force requirement for doors and gates is as follows:
  - a. 5 pounds for interior and exterior manual doors, gates, sliding doors, and folding doors.
  - b. Required fire doors: the minimum opening force allowable by the appropriate administrative authority, not to exceed 15 pounds.
4. Operable parts on doors and gates shall be mounted 34" min. to 44" max. above the finish floor or ground.

**Residential Dwelling Unit Terminology**

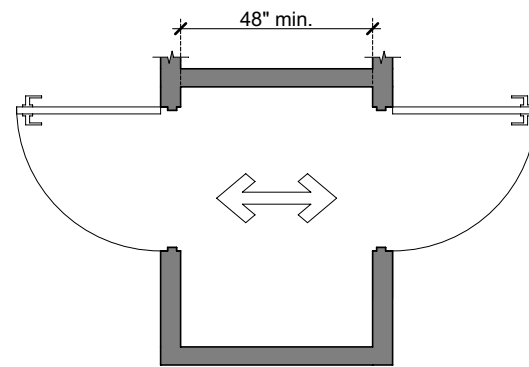
**Mobility Unit:** Residential dwelling unit per 11B-233.3.1.1 providing mobility features complying with Sections 11B-809.2 through 11B-809.4.

**Adaptable Unit:** Residential dwelling unit per 11B-233.3.1.2, providing adaptable accessibility features as required by Sections 11B-233.3.1.2.1 through 11B-233.3.1.2.6.

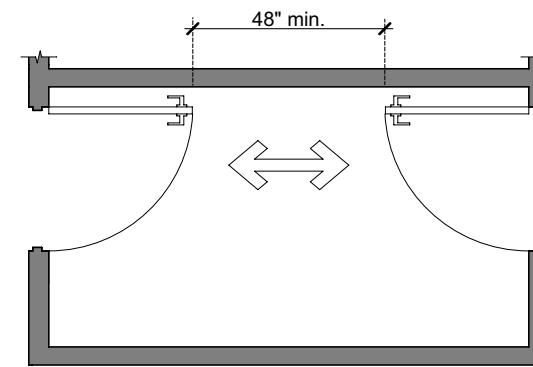
**Communication Unit:** Residential dwelling unit per 11B-233.3.1.3, providing communication features complying with Section 11B-809.5.



A Same Direction



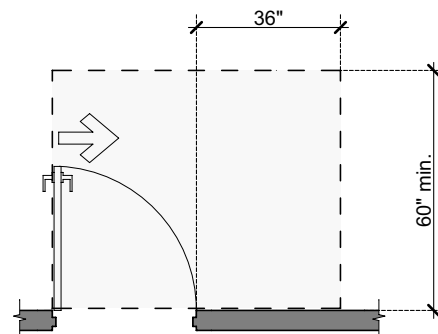
B Swinging Away From Each Other



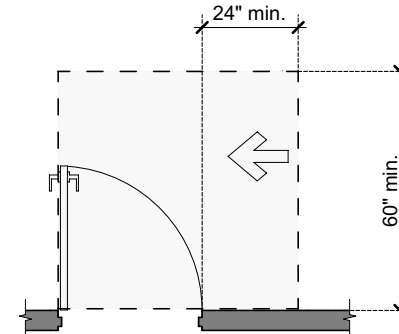
C Swinging Toward Each Other

**1 Doors or Gates in Series**

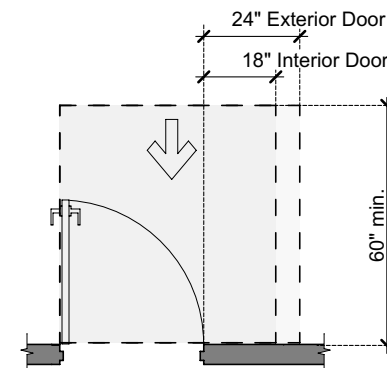
09.1 In common use areas



A Hinge-Side Approach



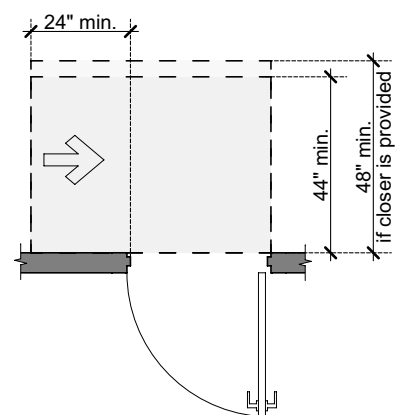
B Latch-Side Approach



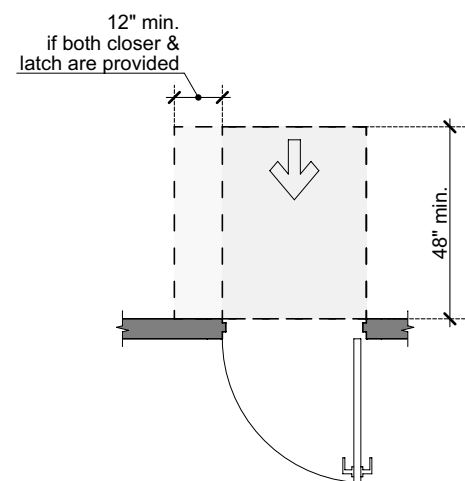
C Forward Approach

**2 Pull Side Maneuvering Clearances**

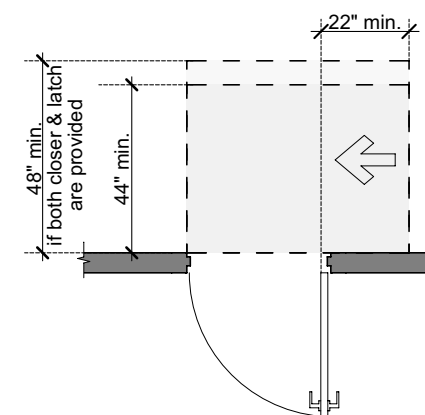
09.1 Manual swinging doors and gates



A Latch-Side Approach



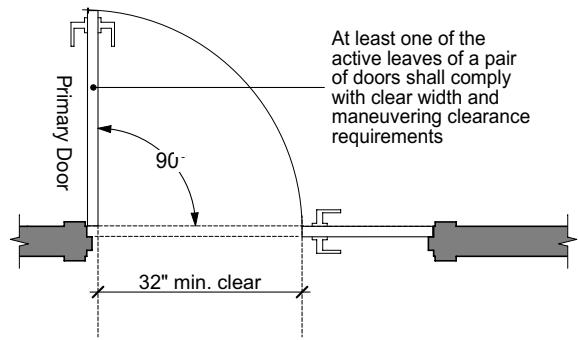
B Forward Approach



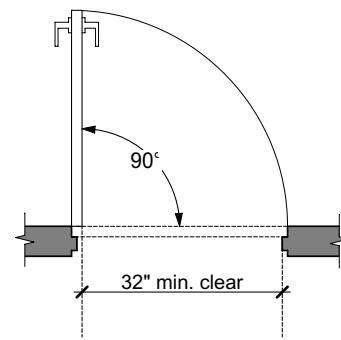
C Hinge-Side Approach

**3 Push Side Maneuvering Clearances**

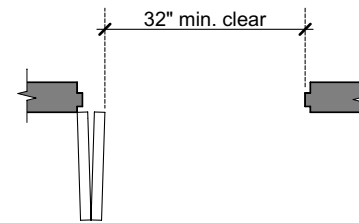
09.1 Manual swinging doors and gates



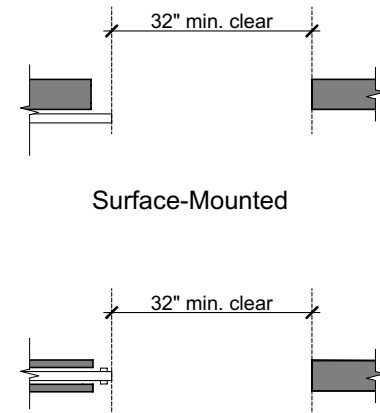
A Uneven Hinged Door Pair



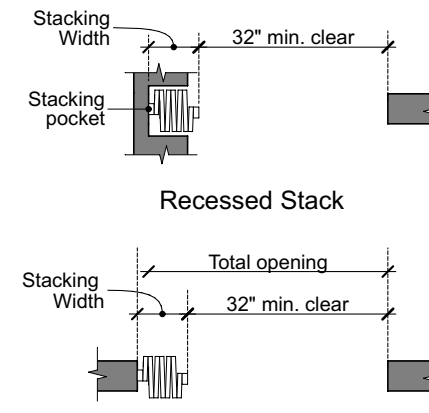
B Hinged Door



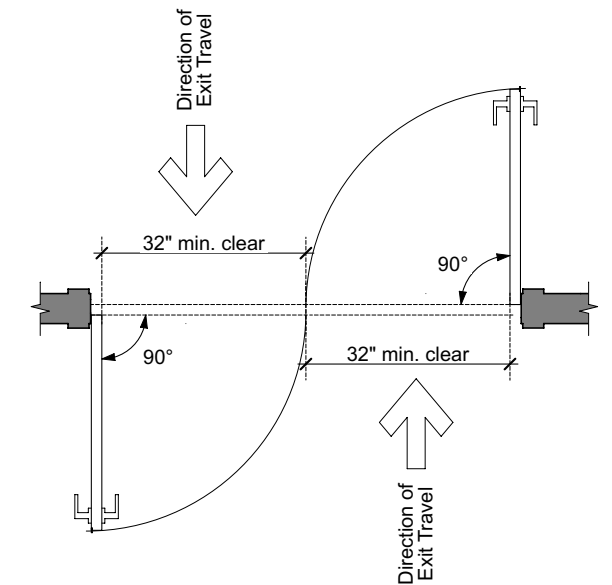
C Bi-Fold Door



D Sliding Doors

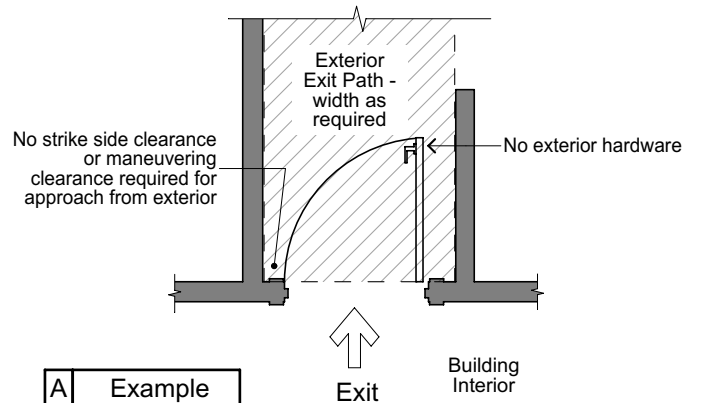


E Accordion Door

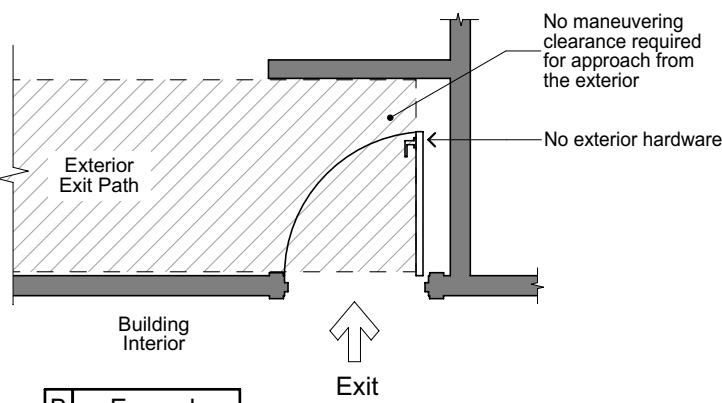


F Double Acting Door

1 Door Clear Width for User Passage  
09.2

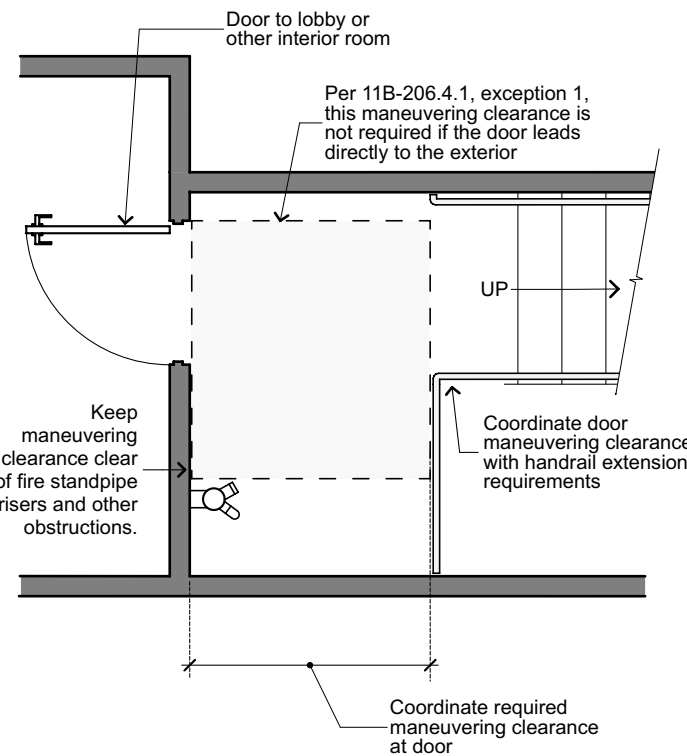


A Example

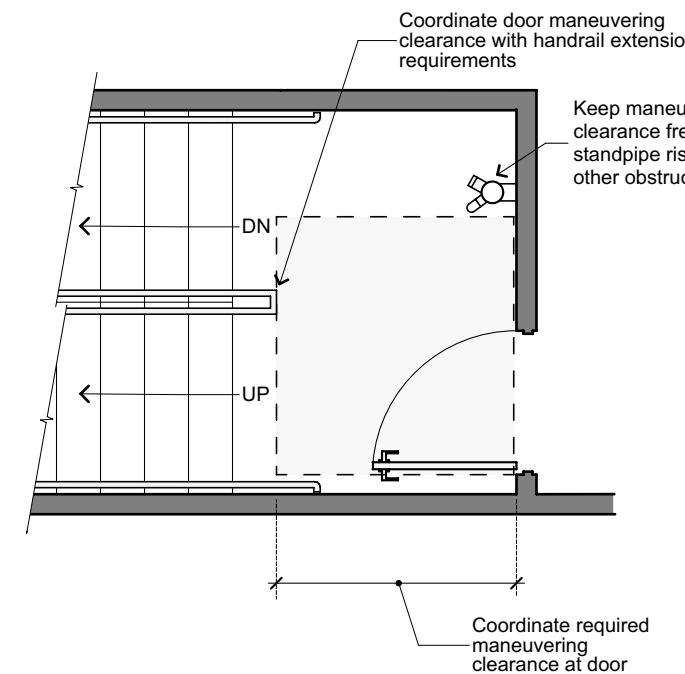


B Example

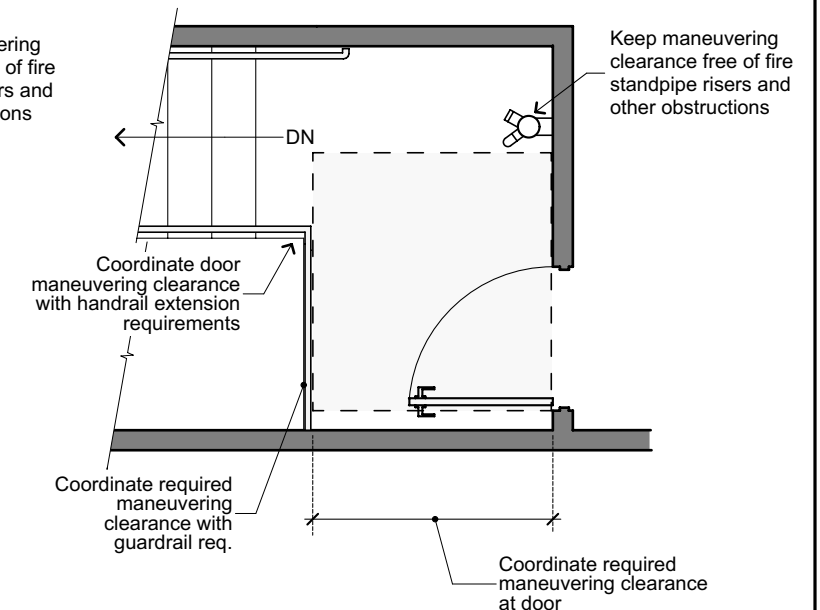
2 Exit-Only Doors  
09.2



A Ground Floor Landing Example

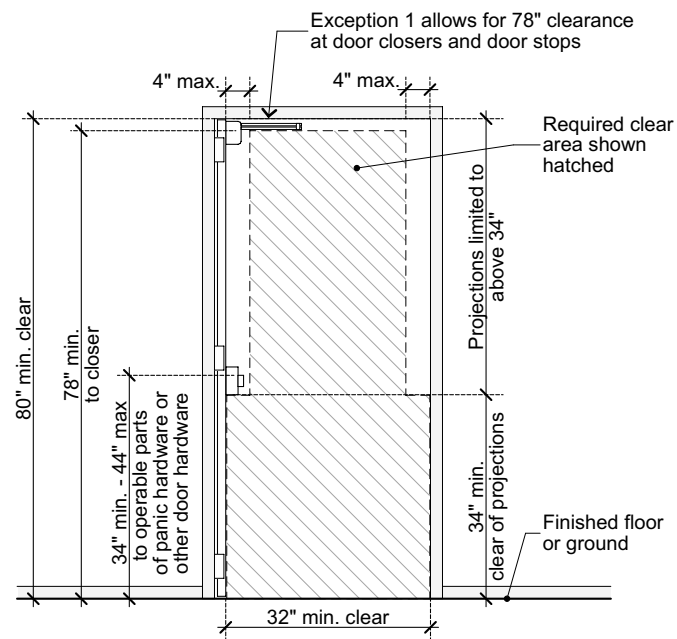


B Mid-level Landing Example

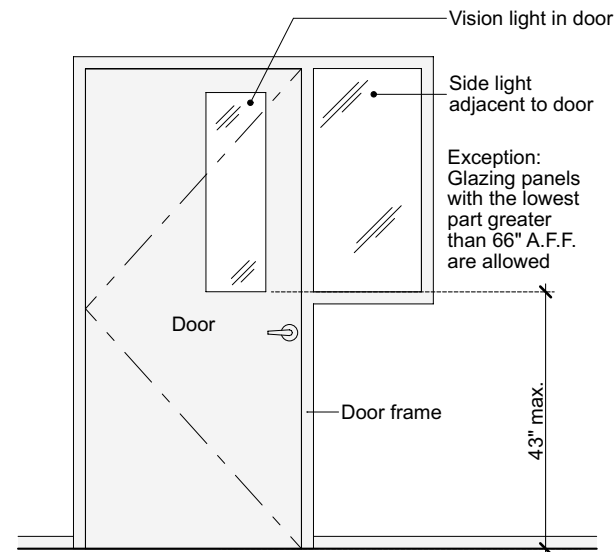


C Top-level Landing Example

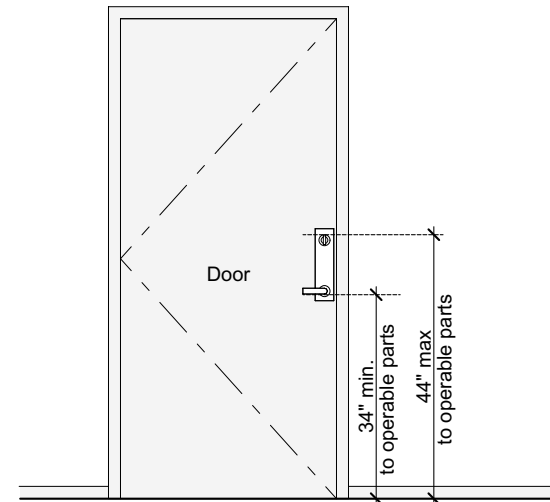
3 Stairway / Door Clearances  
09.2



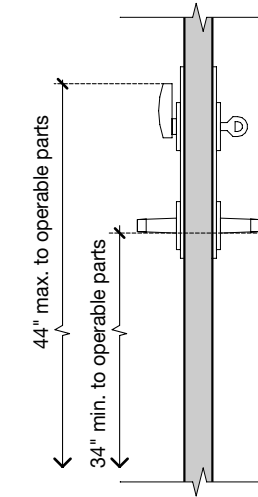
**1** Door Clearances  
09.3



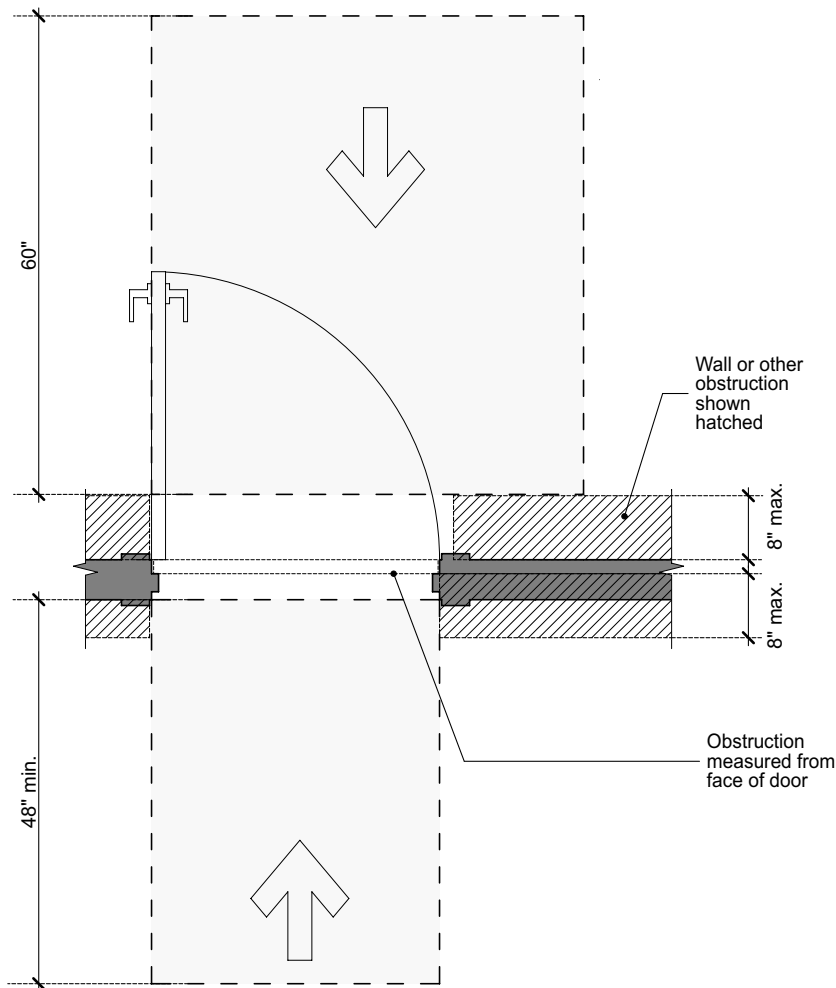
**2** Vision Lights at Doors  
09.3



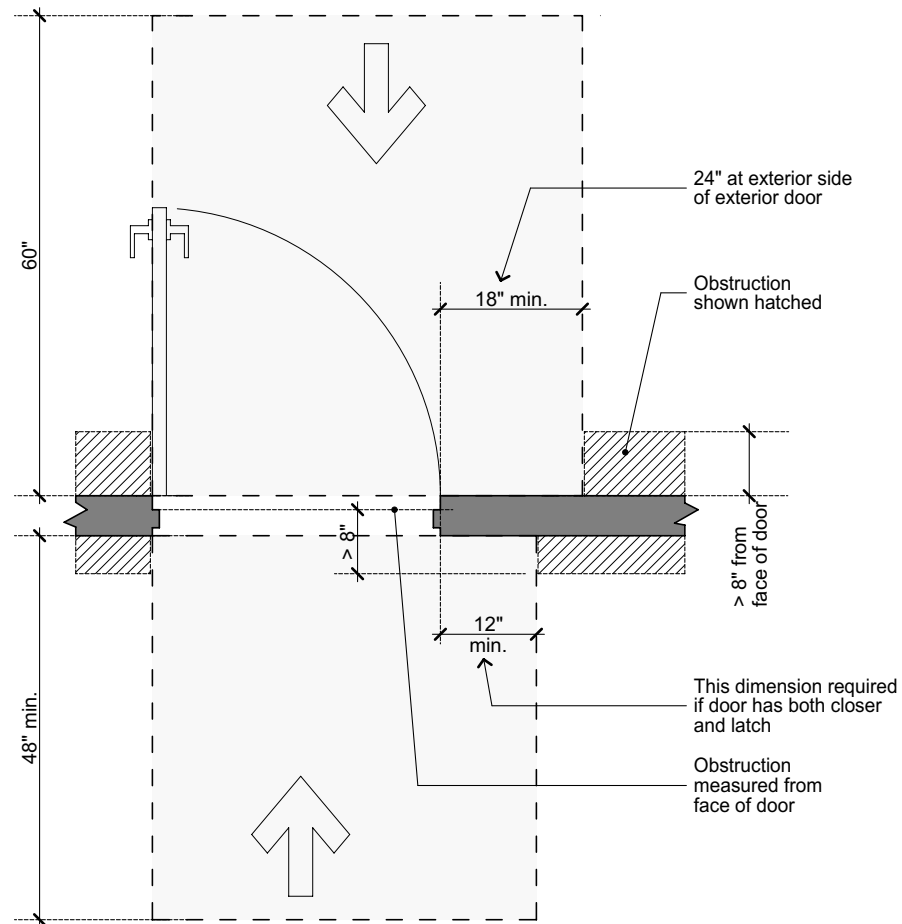
**3** Door Hardware  
09.3



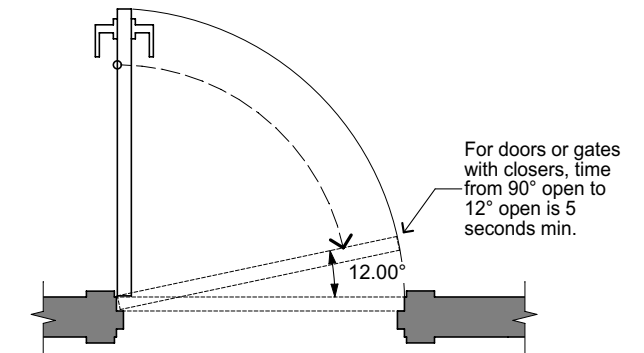
**4** Door Hardware Height  
09.3



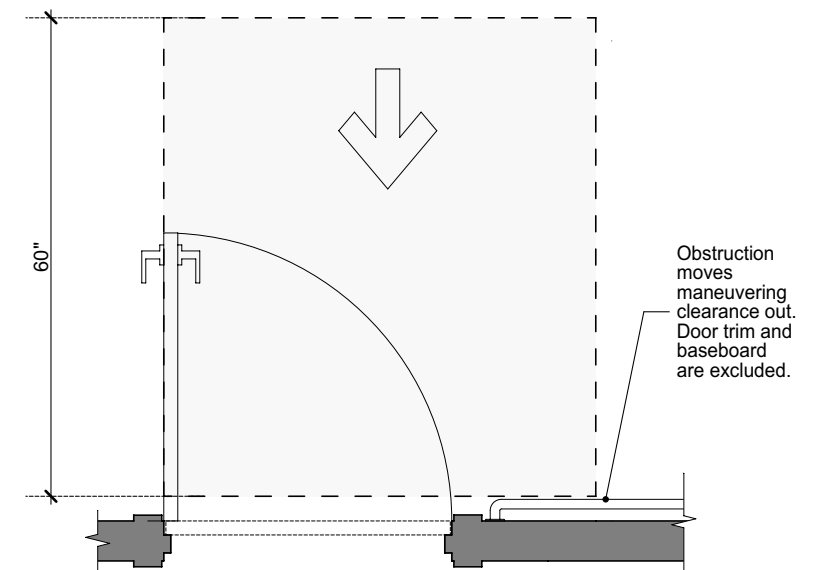
**6** Doors with Obstructions Or In Recesses  
09.3



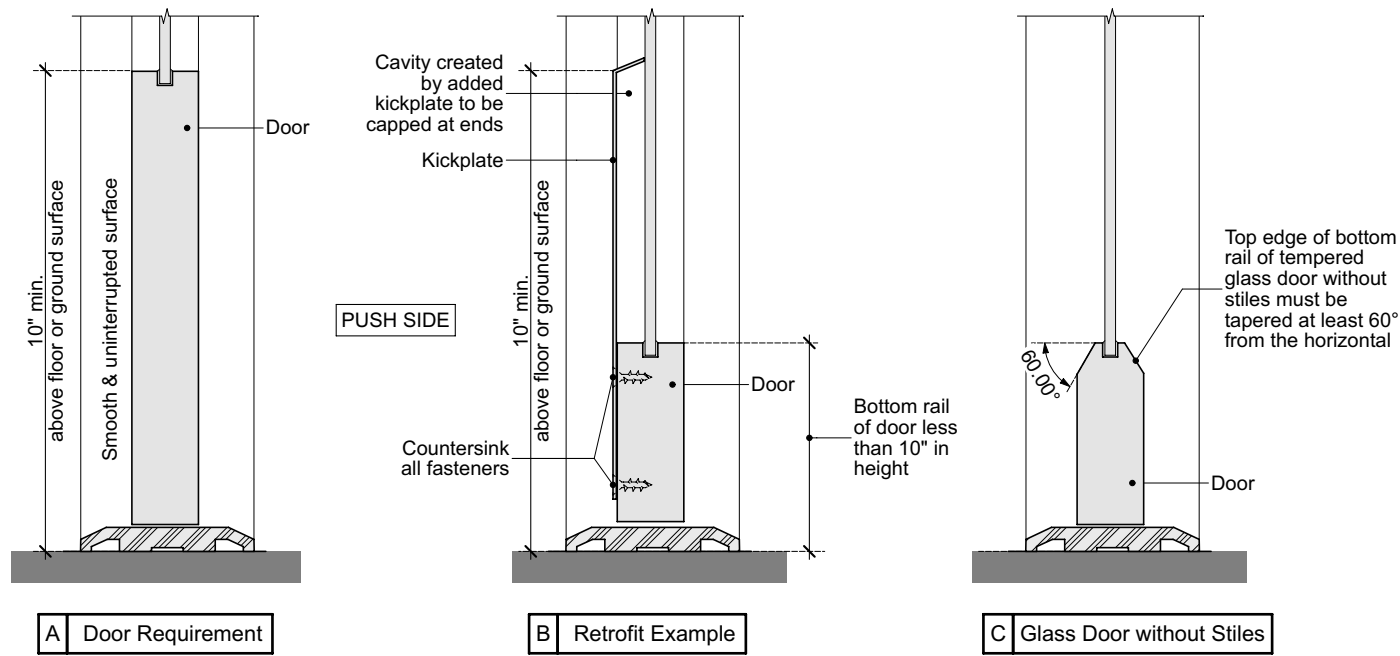
**7** Doors with Obstructions Or In Recesses  
09.3



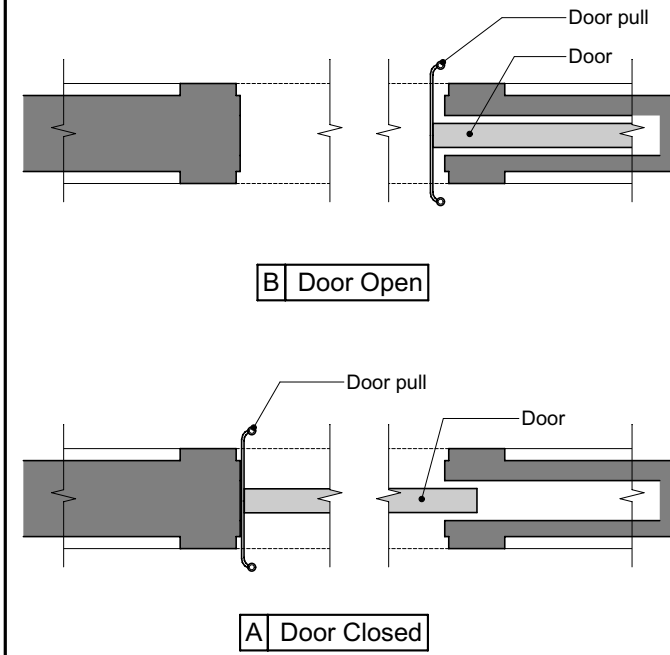
**5** Door Closer Requirements  
09.3



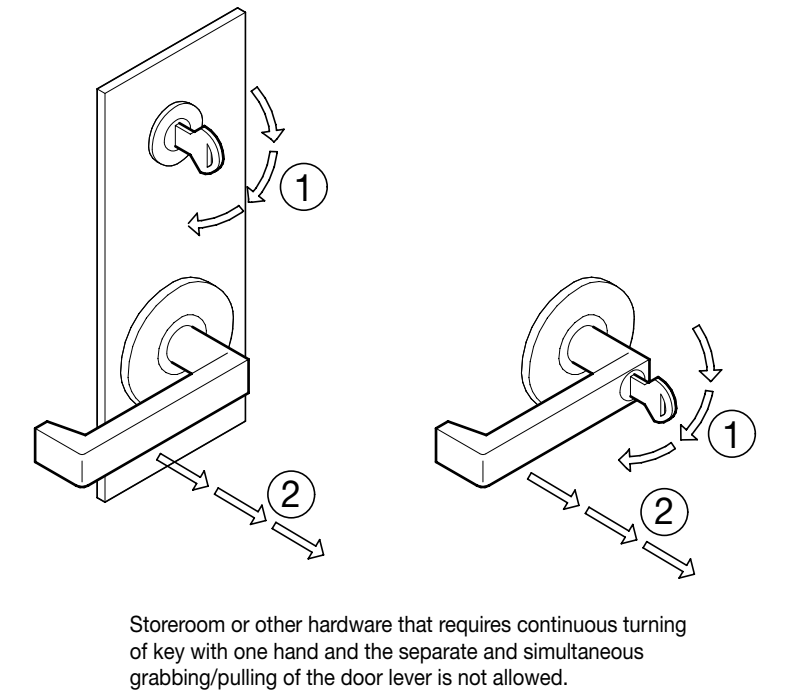
**8** Doors with Obstructions Or In Recesses  
09.3



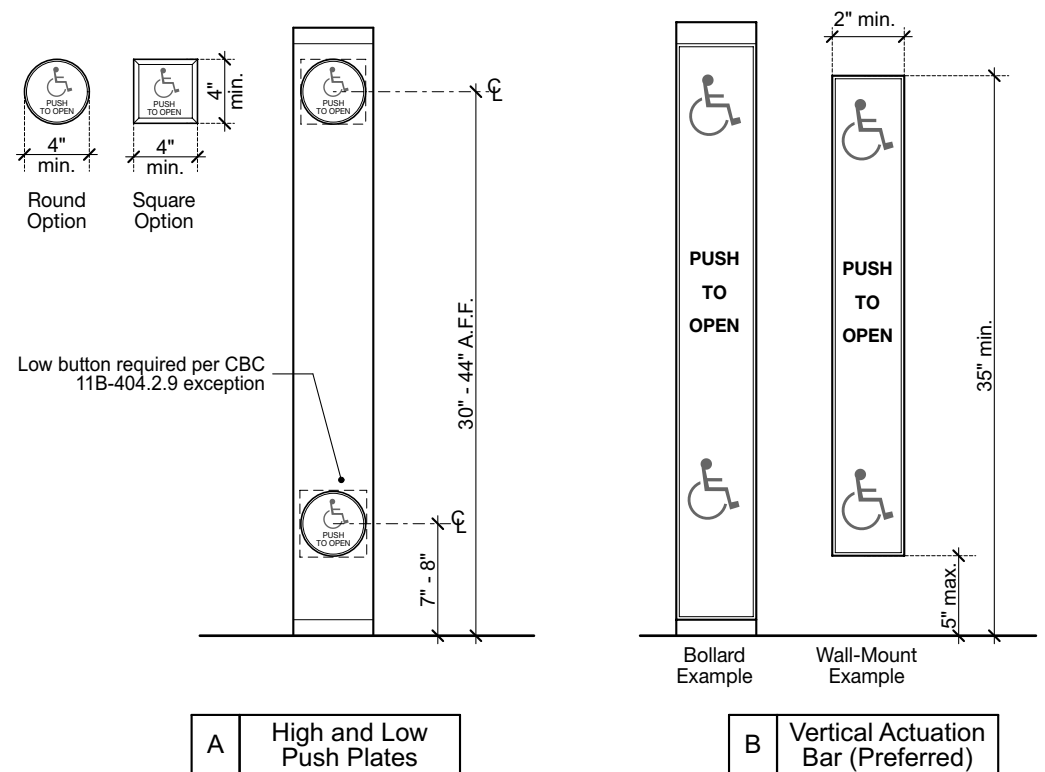
**1 Door and Gate Surfaces**  
09.4



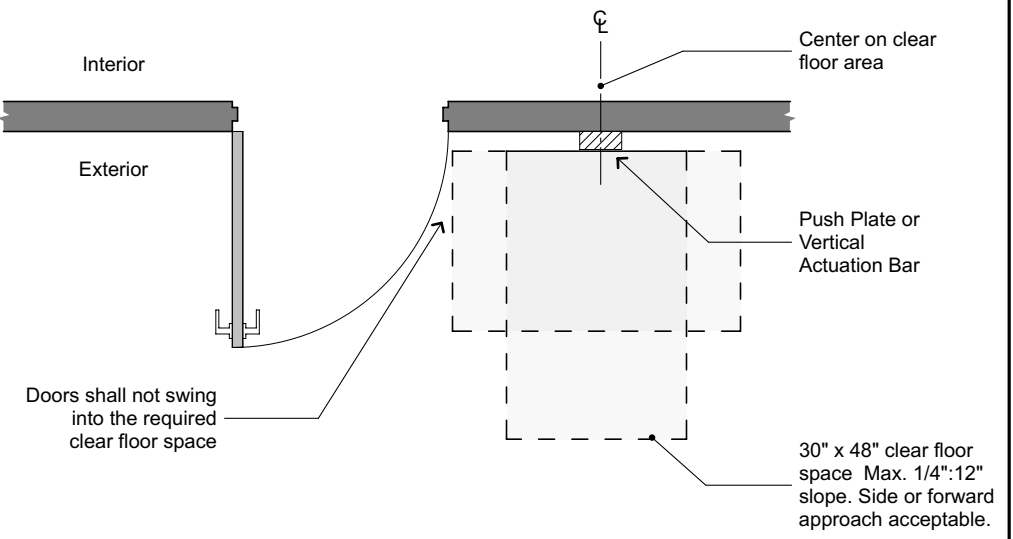
**2 Pocket Door Accessible Pull**  
09.4



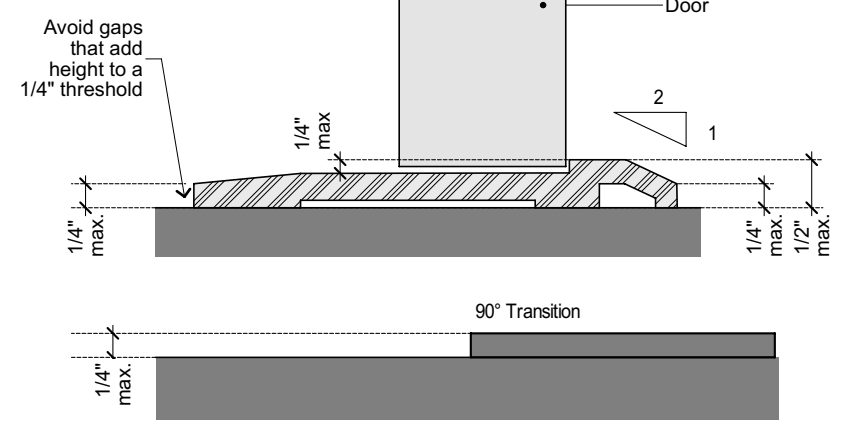
**3 Door Hardware Operation**  
09.4



**4 Push Plate or Vertical Actuation Bar**  
09.4



**5 Kick Plate or Vertical Actuation Location**  
09.4



**6 Thresholds and Flooring Transitions**  
09.4