



Subject Residential Two-Way Voice Communication Systems

- References**
- 2019 San Francisco Building Code (SFBC)
 - 2019 California Building Code (CBC)
 - 2010 ADA Standards (ADAS)

Purpose This bulletin provides guidance on the installation of two-way communication systems.

For more information visit the Mayor's Office on Disability (MOD) website: sfgov.org/mod

SFBC Code Section **Summary**

1005A.1 Two-way voice communication systems.

CBC Code Section **Summary**

11B-230 Two-way communication systems.

11B-305 Clear floor space.

11B-309 Operable Parts.

11B-707.6.2 Numeric Key Layout.

11B-708.4 Residential dwelling unit communication systems shall comply with the following:

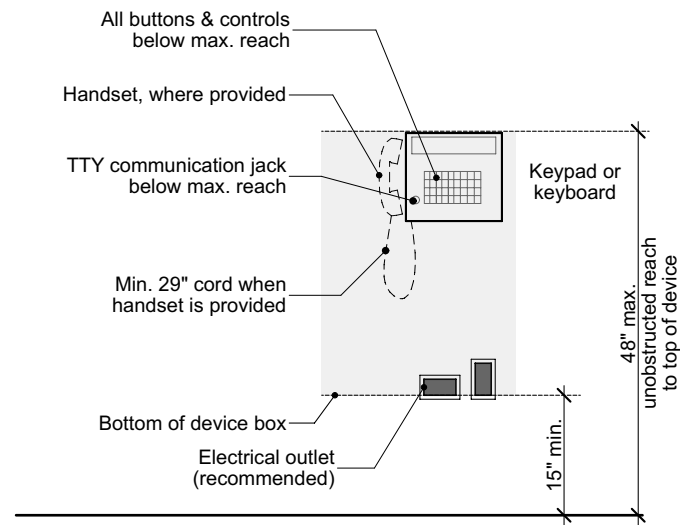
- The common use or public use system interface shall include the capability of supporting voice and TTY communication with the residential dwelling unit interface
- The residential dwelling unit system interface shall include a telephone jack capable of supporting voice and TTY communication with the common use or public use system interface.

Residential Dwelling Unit Terminology

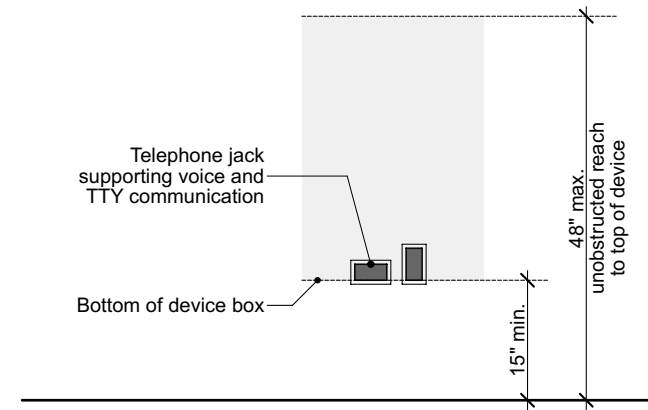
Mobility Unit: Residential dwelling unit per 11B-233.3.1.1 providing mobility features complying with Sections 11B-809.2 through 11B-809.4.

Adaptable Unit: Residential dwelling unit per 11B-233.3.1.2, providing adaptable accessibility features as required by Sections 11B-233.3.1.2.1 through 11B-233.3.1.2.6.

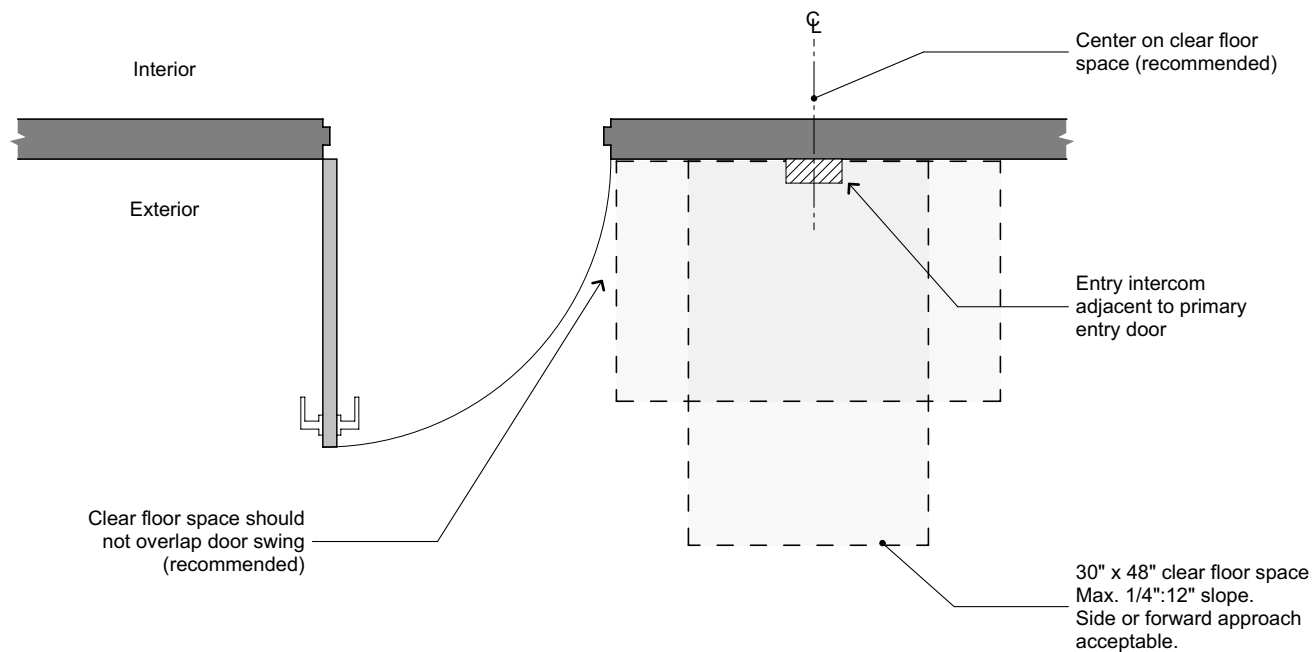
Communication Unit: Residential dwelling unit per 11B-233.3.1.3, providing communication features complying with Section 11B-809.5.



1 System at Common Entry
05.1



2 Telephone Jack at Unit Interior
05.1



3 System Location at Common Entry
05.1